

## Description

Box in black painted steel

Operating voltage: 24 Vdc / Absorbed current: 70 mA

Holding force: > 140 Kg.

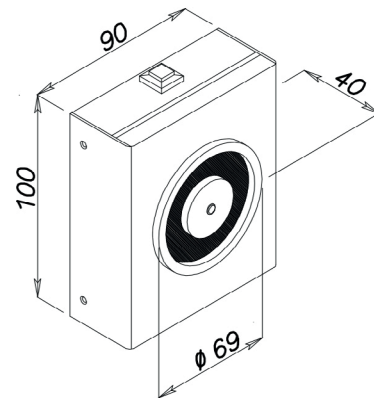
Residual anti-magnetism pin on the electromagnet body

Connector with anti-disturb varistor

### With push button release

**Compliance:** EN 1155

**Use:** hold open electromagnet for swing fire doors



### SWINGING ARMATURE

- > Base in galvanized steel